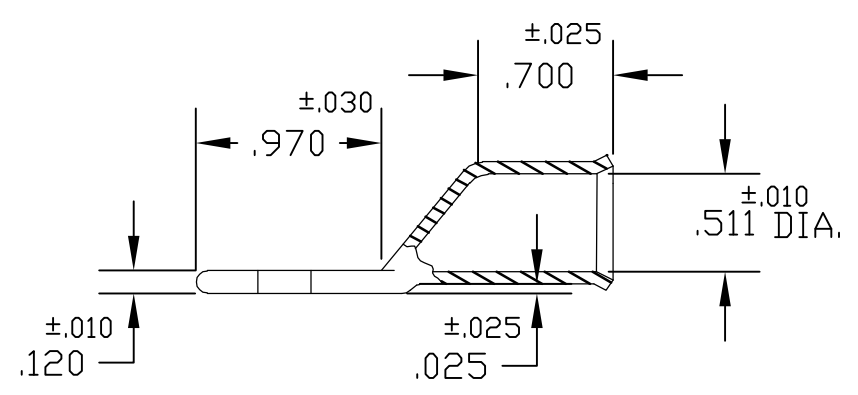
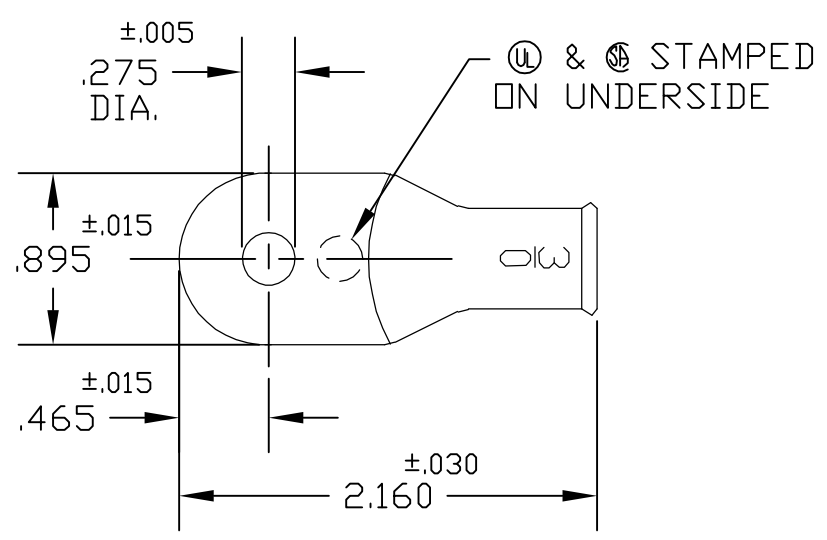


THIS DRAWING IS UNPUBLISHED. RELEASED FOR PUBLICATION
 © COPYRIGHT BY TYCO ELECTRONICS CORPORATION. ALL RIGHTS RESERVED.

LOC	DIST	REVISIONS					
		P	LTR	DESCRIPTION	DATE	DWN	APVD
G	50		A1	REVISED PER ECR-06-011725	19MAY06	HMR	JR



ACTIVE	30141-01	STANDARD	TIN PLATE	1526793-2
ACTIVE	30141-00	STANDARD	PLAIN	1526793-1
STATUS	AET P/N	PACKAGING	FINISH	PART NUMBER

THIS DRAWING IS A CONTROLLED DOCUMENT.		DWN D.A.A 11/1/00	Tyco Electronics Corporation Harrisburg, PA 17105-3608		
DIMENSIONS: INCHES		CHK H.D.F 11/1/00			
		APVD H.D.F 11/1/00	3/0 STANDARD TERMINAL		
		PRODUCT SPEC —	SIZE CAGE CODE DRAWING NO RESTRICTED TO		
MATERIAL COPPER ASTM B-152		FINISH —	A3 00779 C-1526793		—
CUSTOMER DRAWING			SCALE 1:1	SHEET 1 OF 1	REV A1